

KYCS-PMW3360 Breakout Board

BY KEYCAPSSS.COM

Pinout

RES = Chip reset(active low)

GND = Ground

MOT = Motion detect (active low interrupt line)

SS = Slave Select / Chip select (active low)

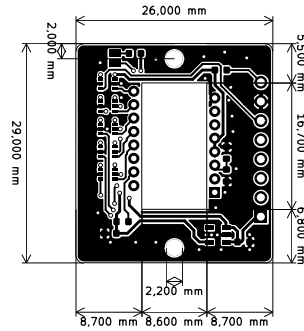
SCL = SPI/Serial data clock

MOS = MOSI

MIS = MISO

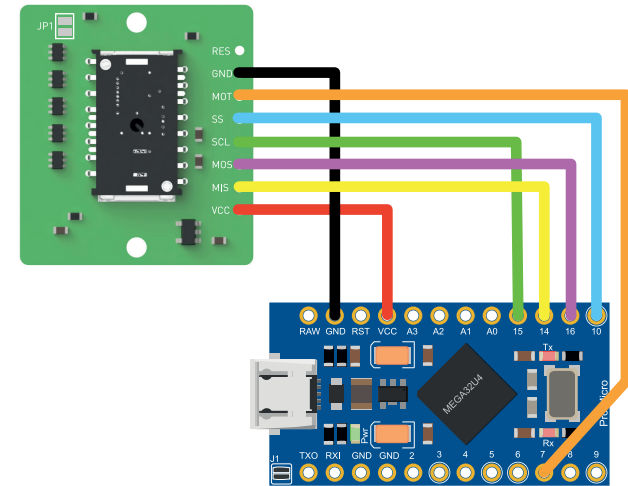
VCC = Input power supply (2-5.5V)

PCB dimension



Example connection with a Pro Micro/Puchi-C

Bridge JP1 to Pull MISO high



Pin 7 is interrupt 4 (INT6)

Schematic

