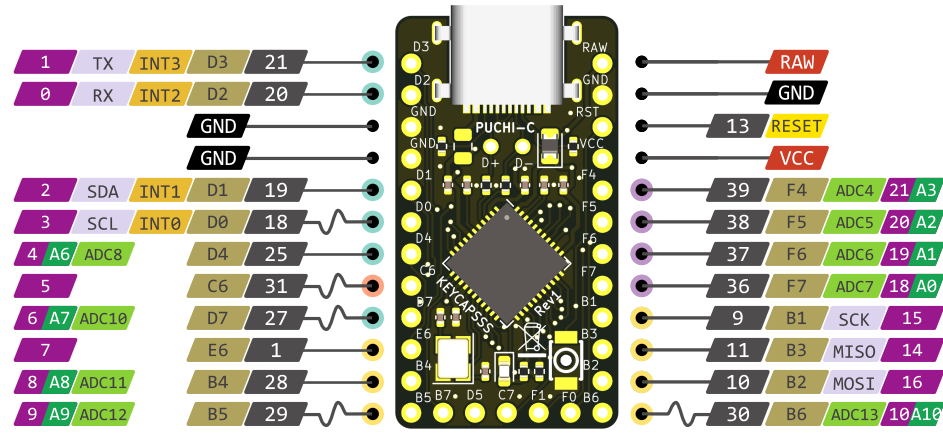


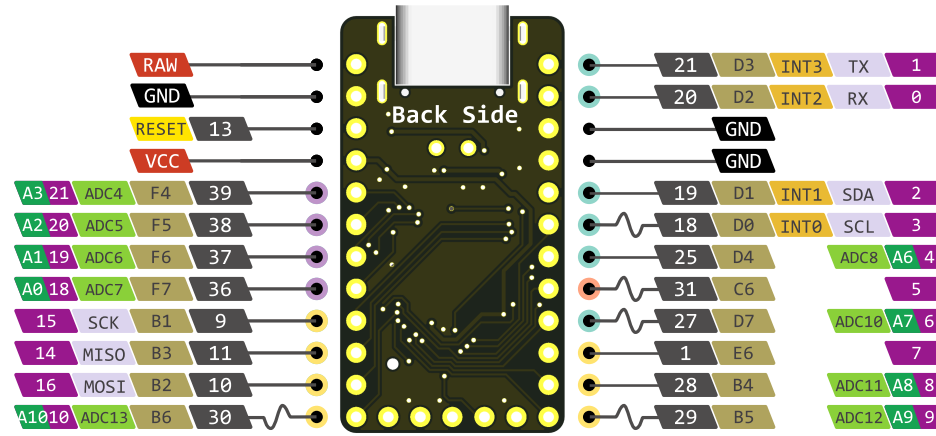
PUCHI-C

Pro Micro Replacement with USB-C



PUCHI-C

Pro Micro Replacement with USB-C



- RAW** ⚠️ Connected to 5V USB Port
Absolute MAX 500mA
- ⚠️ Absolute MAX per pin 20mA
recommended 10mA
- ⚠️ Absolute MAX 150mA
for entire package
- ⚠️ The total current of each port
power group should not exceed 100mA



- Power
- GND
- Physical Pin
- Port Pin (IDE)
- Interrupt Pin
- Serial Pin
- Analog Pin
- Arduino
- Control Pin
- PWM Pin
- Port Power Group

Pinout Template by Bill Binko from ATMakers.org
available at <https://git.io/JtuQG>